

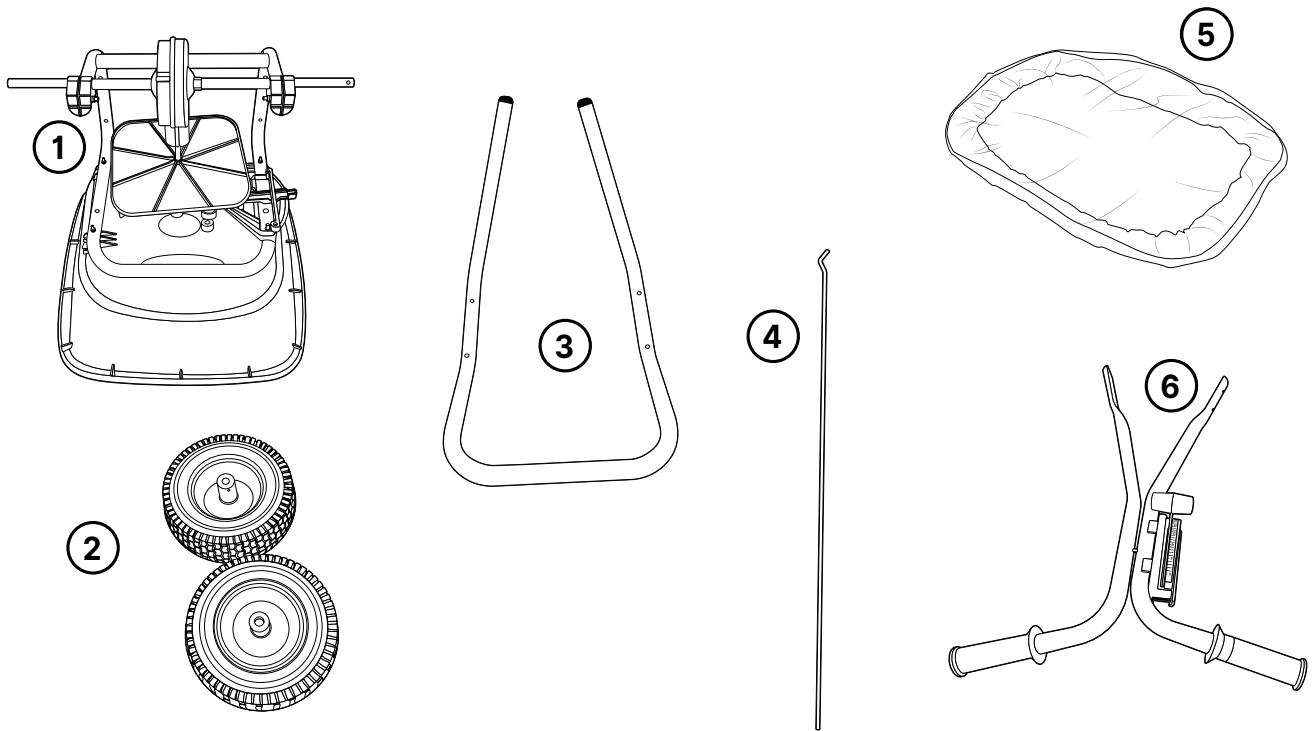
# ACCUPRO® 360ST Manual



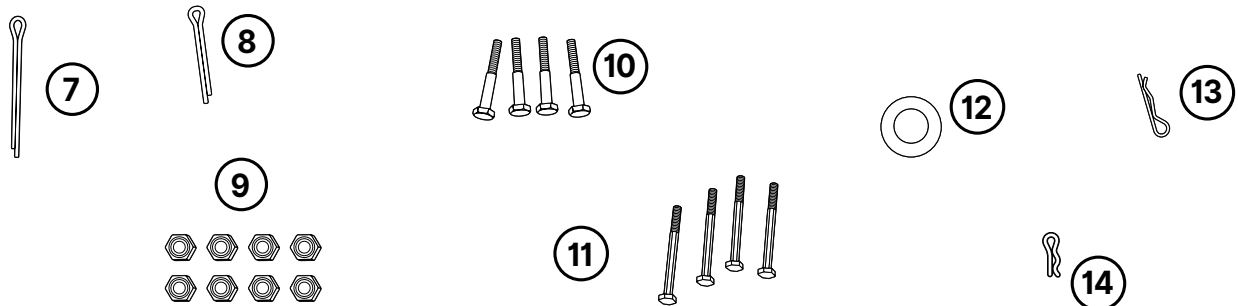
# Spare Parts

## MAIN PARTS

(Part images not to scale)



## FASTENERS PACK CONTENTS

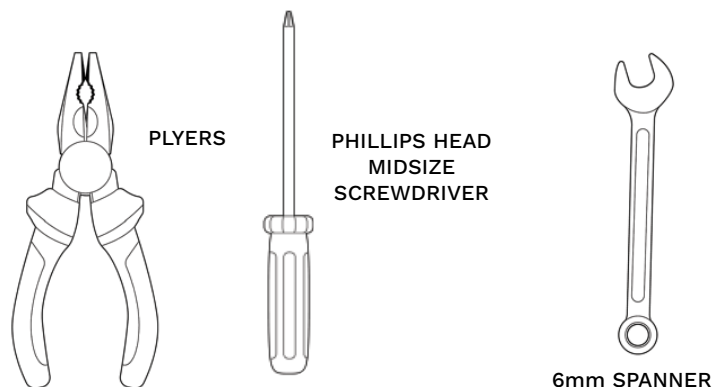


## ACCUPRO 360ST parts list

1. Hopper Body Assembly
2. Wheels
3. Back Stand
4. Control Rod
5. Rain Cover
6. Handle Assembly
7. Large Cotter Pin
8. Small Cotter Pin
9. M6 Lock nut x 8
10. M6 x 40mm Bolts x 4
11. M6 x 65mm Bolts x 4
12. Coast Wheel Washer
13. Agitator
14. Small R Pin

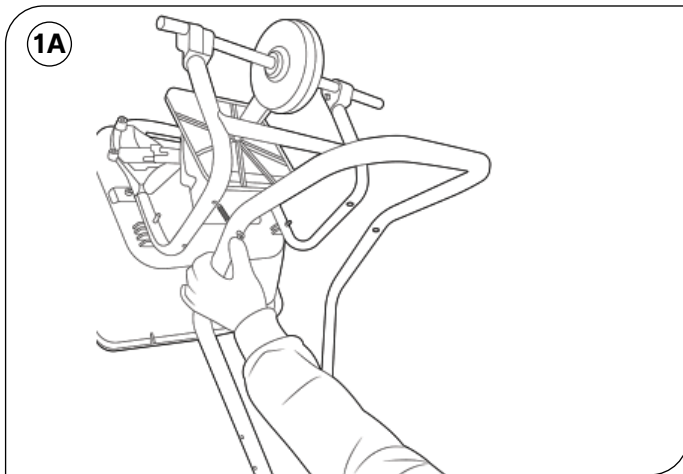
Tools required for assembly.

6mm spanner, pliers, phillips head screwdriver.



# Assembling your **ACCUPRO 360ST**

## Attaching the back stand to the spreader body

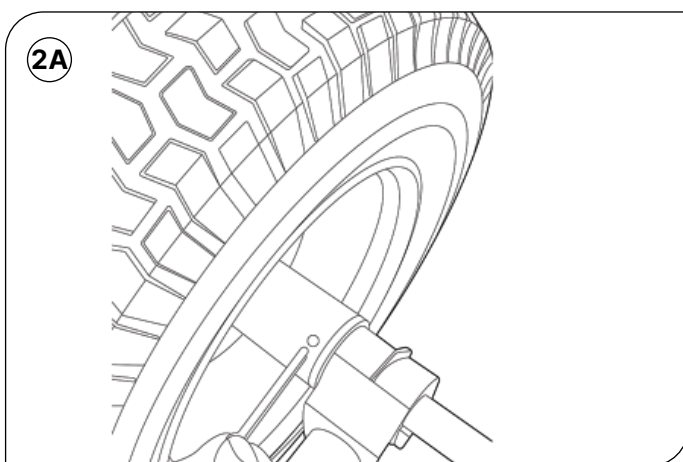


Align the 4 holes in the back stand with the 4 holes in the main frame.

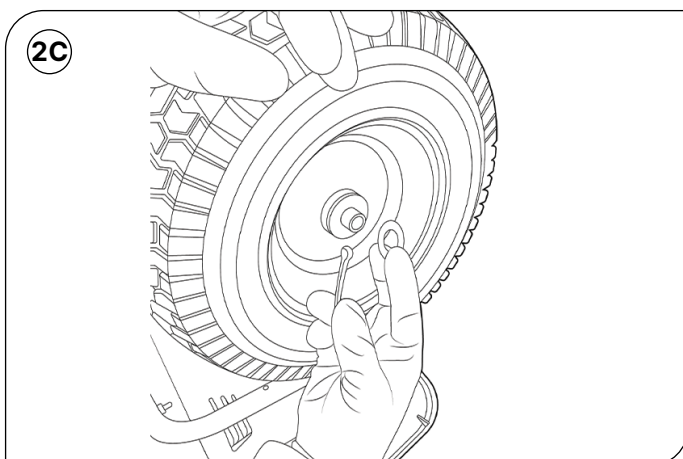
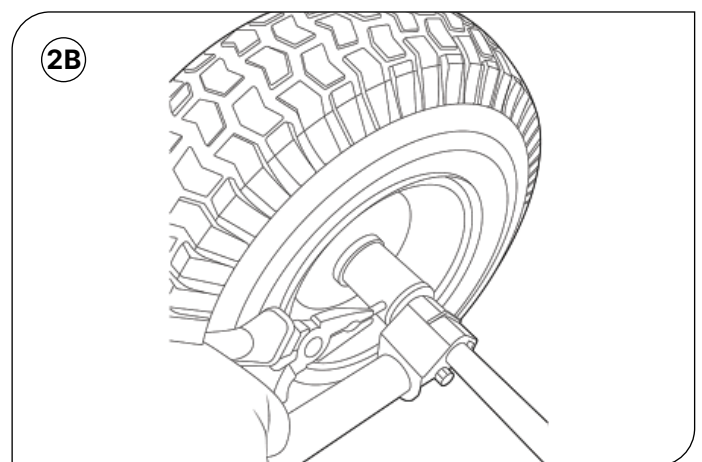


Using the 4 × M6 65mm bolts and 4 × M6 lock nuts secure the back stand in place and fully tighten the 4 lock nuts using an M6 spanner and pliers.

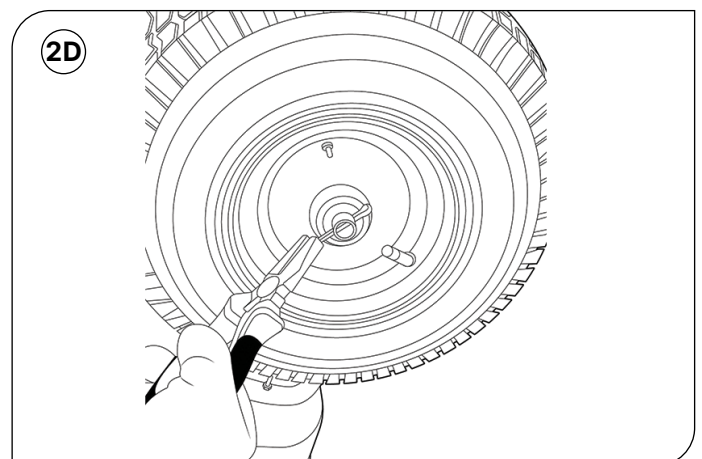
## Attach the wheels to the spreader chassis



Locate the drive wheel onto the axle. Line up the hole in the wheel hub with the hole in the axle. Using the larger drive wheel cotter pin pushing it through the hole. Using pliers split the end of the cotter pin to secure the wheel to the axle.

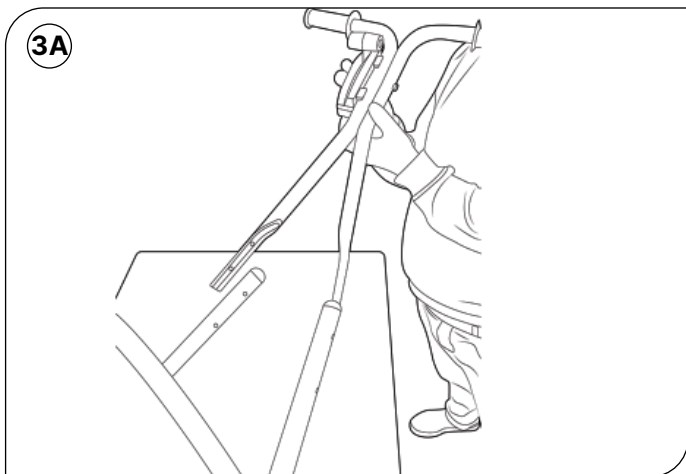


Locate the coast wheel onto the other side of the axle. Ensure the wheels valve is facing outwards. Locate the washer and then place the small cotter pin through the hole. Using pliers split the end of the cotter pin to secure the wheel to the axle. Tyres should be inflated to 16–18 psi for use.

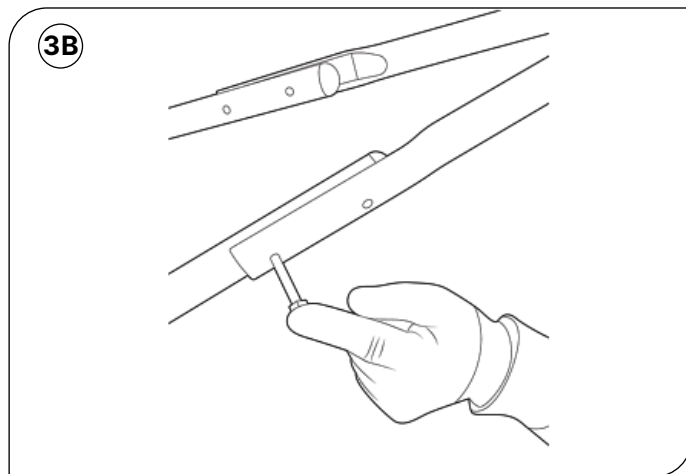


# Assembling your **ACCUPRO 360ST**

## Attach the handle to the spreader chassis

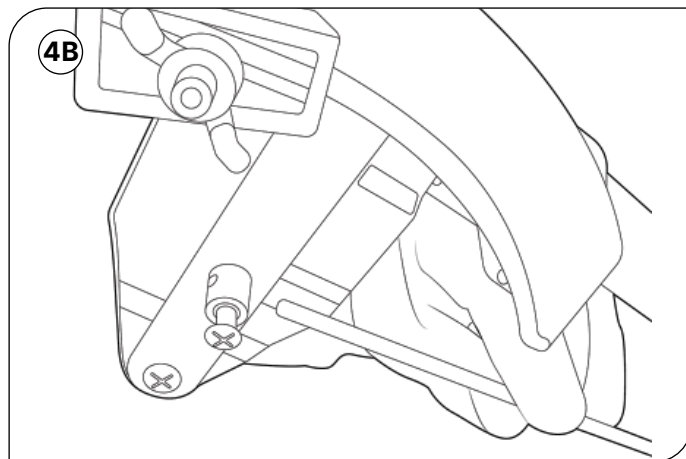
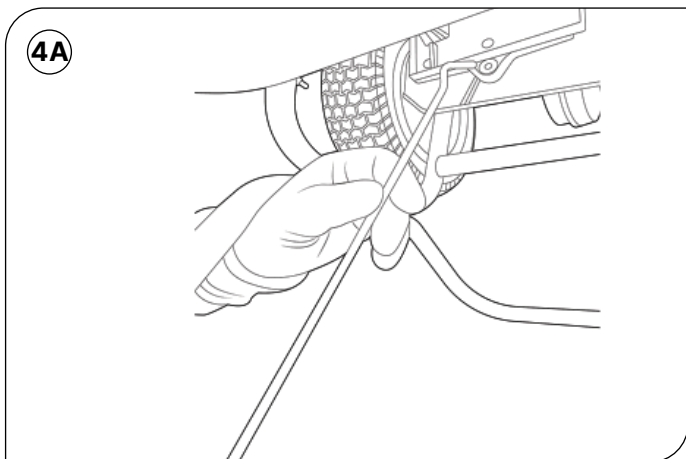


Line up the handle assembly with the back stand.

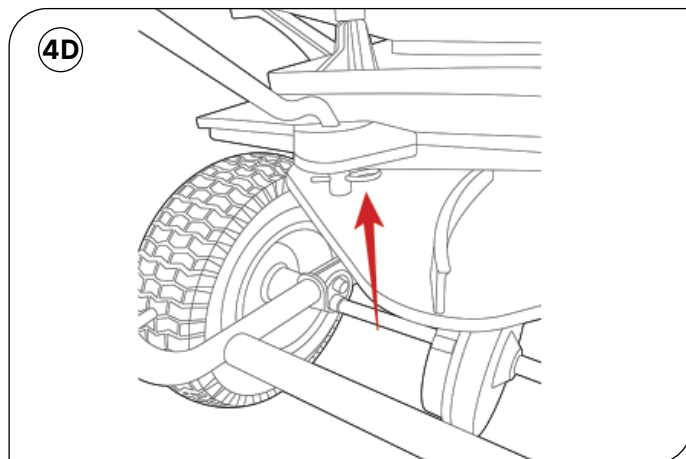
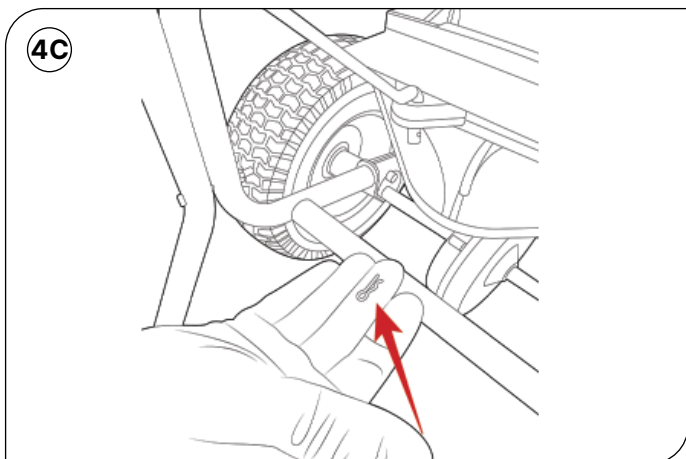


Using the 4 × M6 40mm bolts and lock nuts secure the handle in place. Fully tighten the 4 lock nuts.

## Attaching the control rod

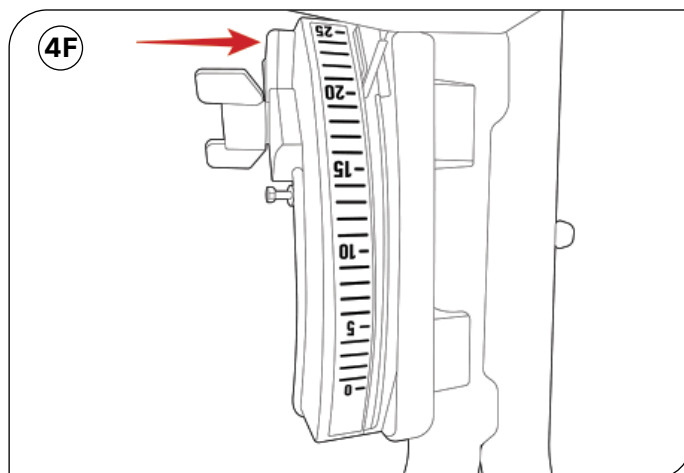
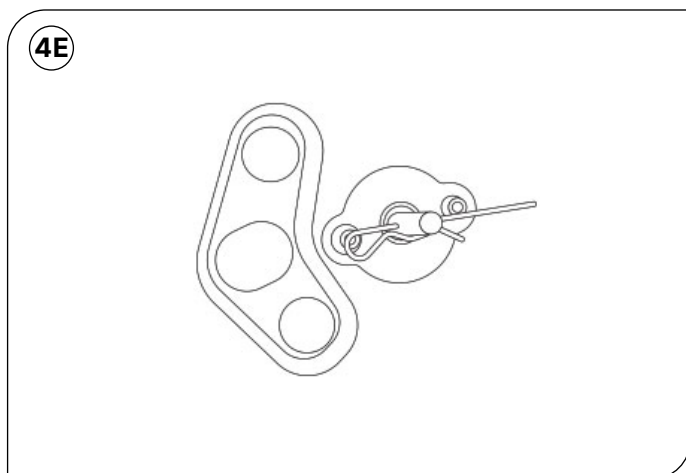


Thread the hooked end of the control rod into the slide plate as shown in picture (4A) Place the straight end of the control rod through the rod stopper on the gauge assembly as shown in picture (4B) do not tighten the screw.

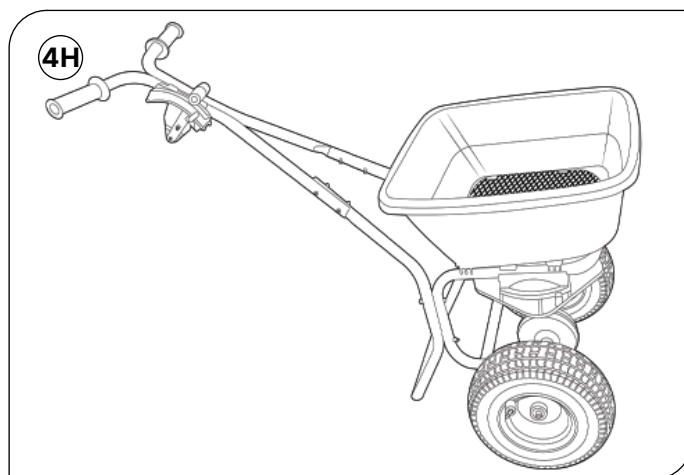
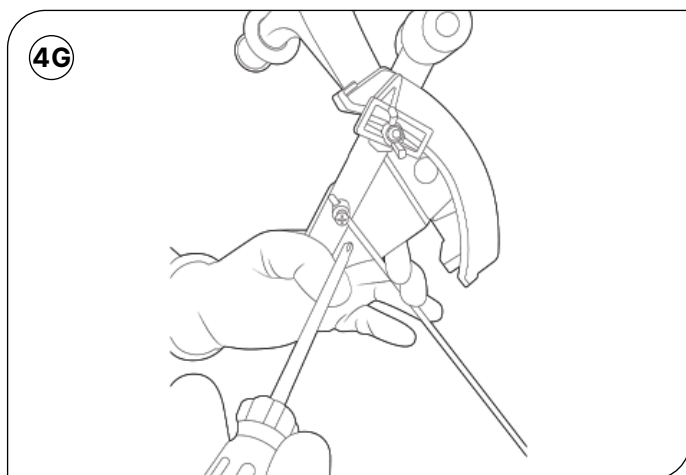


Using the small R pin shown in picture (4C), secure the control rod to the slide plate by locating the R pin through the hole as shown in picture (4D).

# Assembling your **ACCUPRO 360ST**



Place the control lever in the fully open position setting 25 on the gauge as shown in picture 4F. Locate the control rod through the rod stopper on the gauge assembly by pulling the rod and placing the free end through the hole in the rod stopper. (Note: It may be necessary to unscrew the rod stopper screw so the hole to receive the rod is fully open.) Pull back the black slide plate attached to the hook end of the rod back to its stop. (The fully open position.) The correct fully open position is now selected and is shown in 4E.



With the hopper aperture fully open as (shown in picture 4E) and the gauge setting at 25 (as shown in picture 4F), using a mid-size Phillips head screwdriver. Fully tighten the screw to secure the gauge lever base to the control rod. Do not pull on the rod while tightening the rod stopper screw. Ensure the screw is tight. The assembly is now complete.

## Calibration

Calibration of the spreader is automatically performed during assembly, as outlined here. Refer to diagrams 4E, 4F, and 4G for detailed instructions on attaching the control rod. Periodically check the calibration to ensure accuracy.

When properly calibrated, the shutter plate should be fully closed at gauge setting 0 and fully open at setting 25. If adjustment is necessary, loosen the control rod by unscrewing the rod stopper (gauge lever base). Then, repeat steps 4E, 4F, and 4G to reset the calibration.

# How to use the **ACCUPRO 360ST**

The ACCUPRO 360ST is designed for the precise application of seed, fertilizer, and other free-flowing materials to turf. To optimize the effectiveness of this spreader, follow the guide below.

## **Step 1: Pre-use inspection**

Before using the spreader, ensure it is clean and free of debris from prior usage by conducting a thorough inspection.

## **Step 2: Material check**

Check the material to be used is in good condition, free flowing and compatible for use in a precision spreader.

## **Step 3: Setting the aperture**

Ensure the on/off lever is in the closed position. Select the correct setting on the SmartSpread™ lower gauge assembly. Select the letter corresponding with the fertilizer to be applied, this adjusts the SmartSpread™ slide plate to the optimum position for spreading the chosen fertilizer. Select the setting on the 1 to 25 scale on/off gauge assembly located on the handle for the desired application rate of the chosen fertiliser by locking the setting screw at the desired number. Further information on application rates of specific ICL products can be found on the ICL websites or through ICL appointed retailers.

## **Step 4: Filling the hopper**

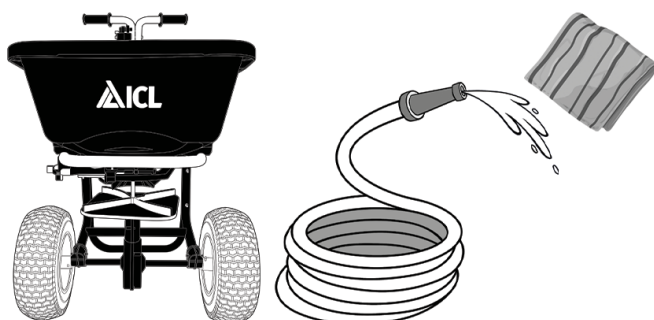
Ensure the control lever remains in the off/closed position (towards the handle grips) before filling the hopper. Fill the hopper uniformly. Always fill the hopper in a safe place away from areas where any accidental spillage while filling could cause damage.

## **Step 5: Spreading material**

The spreader should always be pushed at a brisk walking speed of approximately 5 km/h, keeping the impeller parallel to the ground at all times. With the setting on the upper gauge and the SmartSpread™ lower gauge both in the desired positions push the handlebar on/off lever forwards to the stop, at the same time engaging forward motion. Always commence forward movement at the same time as pushing the lever forward to the on position. At the end of each run pull the on/off lever back to the zero position to cease material flow and stop the spreading. The spread width of the material being used is important and varies with different fertiliser material types. Always check the spread width of the product to be used so that the correct spread distances are followed. To find spread width details of a fertiliser product information can be found on the ICL websites or through ICL appointed retailers.

## **Step 6: Cleaning and after use instructions**

Always empty any remaining product from the spreader after completing the application. Dispose of any excess material in the correct manner. Unused material in the hopper is best emptied by inverting the spreader. Additional steps may be needed to clear any remaining material if necessary.



Wash the hopper thoroughly with clean water particularly around the agitator and the underside of the hopper. Drying of excess water is recommended. Do not reuse the spreader until it is dry.

# ACCUPRO 360ST Application rates

The ACCUPRO 360ST is designed to apply different material types at accurate rates.



Scan the QR code on your fertilizer bag to find out the recommended g/m<sup>2</sup> and spreader application settings.

If you experience any issues finding the correct spreader settings or application rates, please get in contact with your ICL sales representative. Information on settings for all ICL products can be also found on the ICL website:

<https://icl-growingsolutions.com/turf-landscape/>

## 3-Year Limited Warranty

This product is warranted to be free of defects in original workmanship and materials for a period of 3 Years from the date of purchase by the end user, as evidenced by the original dated purchase receipt.

Should a manufacturing non-conformance be identified, the manufacturer will repair or replace the part(s) or product at its discretion at no charge, provided the failure is not due to incorrect installation, mishandling, misuse, tampering, or normal wear and tear as determined by the manufacturer.

The manufacturer may, at its discretion, require that the part(s) or product, along with the original purchase receipt, be returned at the owner's expense for examination and compliance with the terms of this warranty.

Do not return any product without first receiving authorization. To seek remedy under this warranty, contact the manufacturer at the provided contact number or email address and describe the nature of the manufacturing defect.

### Specific limitations

This warranty covers only the part(s) or product; any labor charges associated with the repair or replacement of nonconformances are specifically excluded. Due to the corrosive nature of most fertilizers and ice melt products, the manufacturer makes no warranty against and specifically excludes part(s) or product degradation or failure due to corrosion or its effects.



To mitigate the effects of corrosive materials on your product, clean and dry your spreader or seeder thoroughly after each use. As a further preventative measure, coat all metal parts with a light oil or silicone spray.

**Spreader Batch Number**

Please write your spreader batch number found printed on the box into this space. This will be required for any future warranty claims.



**ICL Growing Solutions**  
Koeweistraat 4, 4181 CD Waardenburg  
The Netherlands  
Tel.: +31 (0) 418 655 700  
Email: [marketing.int@icl-group.com](mailto:marketing.int@icl-group.com)

For further information contact your  
ICL Technical Area Sales Manager  
or visit [www.icl-growingsolutions.com](http://www.icl-growingsolutions.com)

